



✓ **OUTSTANDING FINANCE**
✓ **24 MONTHS WARRANTY**

Tyre Changer - Fully auto, Ultra professional

VGTC04



FEATURES

- Fully professional tyres changer
- Twin bodied tyre changer for maximum assistance
- Dual power assisting arms left and right for assistance with low profile and run flat tyres.
- Fully integrated jaw inflation system enables you to inflate the tyre while clamped to the turntable
- Fully automatic machine
- Fully automatic with tilting arm (Air operated)
- Heavy and durable in construction
- Steel fitting head and plastic fitting head supplied as standard
- Plastic protection kit supplied as standard (jaw clamping, fitting head insert and bead breaker bade)
- Heavy duty bead breaker blade
- Strong bead breaker arm
- Fully integrated filter regulator lubricator for quality air supply
- Foot pedal operation
- Full length abutment pad for breaking the bead of the tyre
- Integrated tyre inflator
- Heavy duty jaw clamp cylinders
- 240V Electrical supply as standard (3phs optional extra available)

TECHNICAL DATA

Power supply	240V (3 Phase available)
Max.wheel diameter	45"(1143mm)
Max.wheel width	16"(406mm)
Outside clamping	14" - 28"
Inside clamping	12" - 25"
Air supply	8 bar
Bead breaker force	2500 Kg
Weight	445/395 kg

Find your nearest dealer online

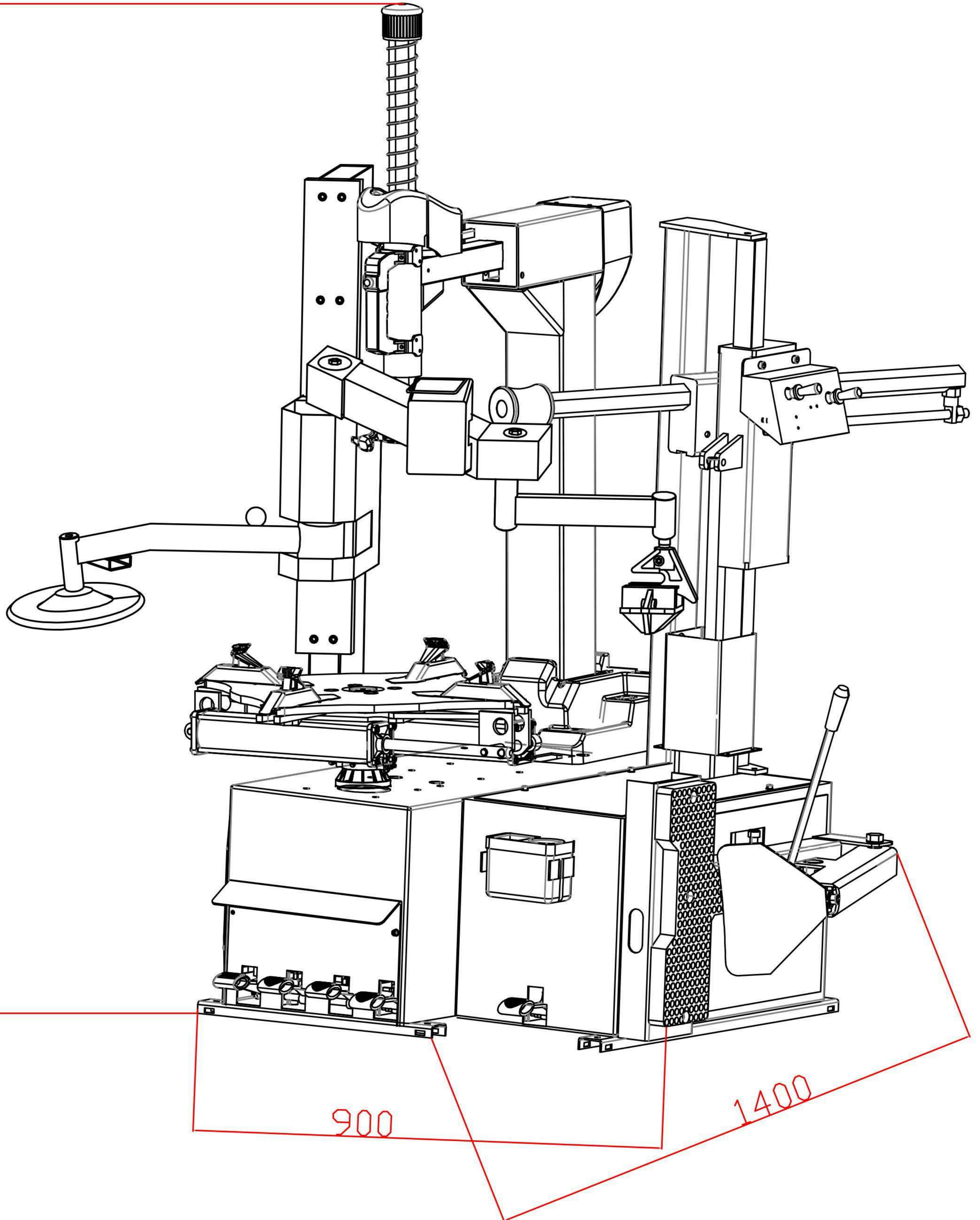
www.valuegarageequipment.co.uk

Order now on

0800 195 1245



Tyre Changer - Fully auto, Ultra professional



Find your nearest dealer online

www.valuegarageequipment.co.uk

Order now on

0800 195 1245