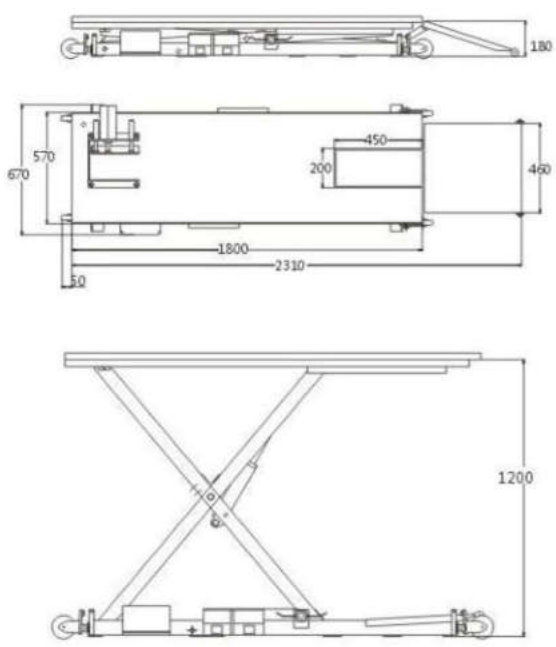


Scissor Lift - Mid-Rise

VGEM01



FEATURES

- Convenient use and easy to remove
- Convenient for tyre operation and wheelbase maintenance
- Only 100mm height required to lift, suitable for all kinds of motorcycles
- 24 months warranty*

*TERMS & CONDITIONS APPLY

TECHNICAL DATA

	<u>VGEM01</u>
Lifting capacity	300 Kg
Lifting Speed	< 30 s
Max lifting height	1200 mm
Capacity of motor	2.2 KW
Electricity supply	380V / 220V
Width	670 mm
Length	2360 mm

Find your nearest dealer online

www.valuegarageequipment.com

Order now on

0800 195 1245